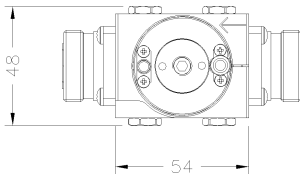
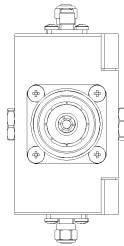
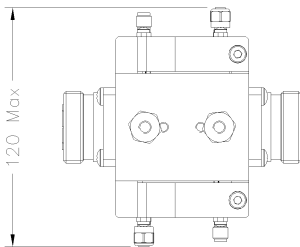
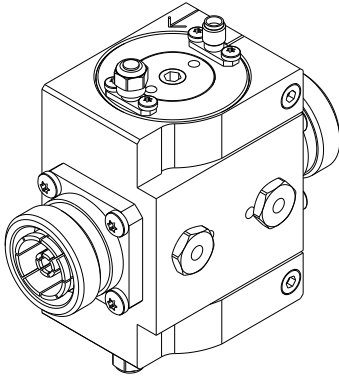


## UHF 2-Slot 7/8" Directional Coupler

DC2A23



## FEATURES

- 2-Slot (Up to 2 Probes)
- *Accuprobe*: Equalized Response Probes
- Interchangeable Probes
- Interchangeable Connector System

## OPTIONS

- N Female Probe Connectors

## SPECIFICATIONS

Code / Revision	UHF: C-DC2A23/nC / A
	VHF B.III: C-DC2A23/nB / A
	VHF B.I-II: C-DC2A23/nA / A
	FM: C-DC2A23/nF / A
	<i>n: Number of Probes</i>
Frequency Range	UHF: 470-862 MHz
	VHF B.III: 174-240 MHz
	VHF B.I-II: 47-100 MHz
	FM: 87.5-108 MHz
Max RMS Output Power	UHF: 2.5 kW
	VHF B.III: 4.75 kW
	VHF B.I-II: 7.0 kW
	FM: 7.0 kW
No. of Probes	Up to 2
Coupling Range ( <i>Accuprobe</i> ) <sup>(1)</sup>	UHF: -35 to -55 dB
	VHF B.III: -35 to -55 dB
	VHF B.I-II: -48 to -68 dB
	FM: -40 to -60 dB
Coupling Accuracy ( <i>Accuprobe</i> ) <sup>(2)</sup>	±0.15 dB
Return Loss / VSWR	> 30 dB / < 1.07
Directivity	> 30 dB
Max Operating Temperature (Body)	65°C (149°F)
Environmental Conditions	-5 to +55°C (+23 to +131°F), IP60
Dimensions / Weight <sup>(3)</sup>	54x48x120 mm / 0,6 kg (1,3 lb.)
Connectors <sup>(4)</sup>	<b>2x 32 mm Series Input; Output</b>
	D-PC32C N Female
	D-PC32D N Male
	D-PC32E 7-16 Female (Default)
	D-PC32F 7-16 Male
	D-PC32G 7/8" FastLine Socket
	D-PC32H 7/8" EIA FastLine Flange
	D-PC32I 7/8" FastLine Plug
Options <sup>(4)</sup>	N Female Probe

<sup>(1)</sup> Other Coupling Ranges available <sup>(2)</sup> Maximum variation overall operating band

<sup>(3)</sup> Default configuration <sup>(4)</sup> Other Connectors/Options available

